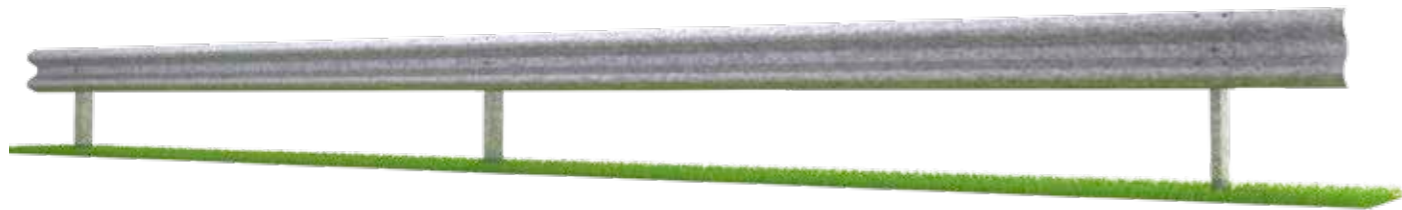
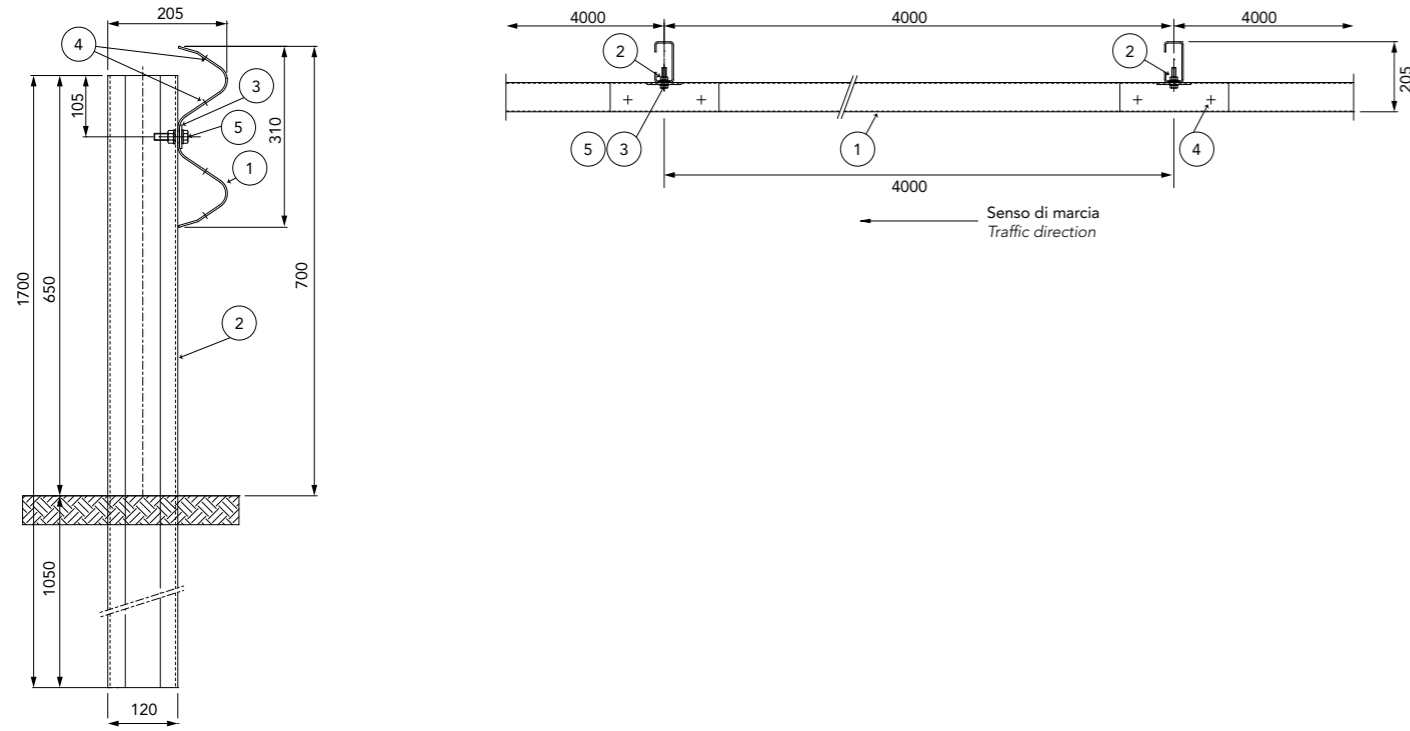


CLASSE N2 BORDO LATERALE - BARRIERA 2 ONDE SINGOLA SU RILEVATO W4

Class N2 Roadside - 2-waves single sided guardrail W4
 Gerammte Doppelwellen-Leitplanke Aufhaltestufe N2, Wirkungsbereich W4
 Classe N2 Bord latéral - Glissière 2 ondes simple sur remblai W4
 Clase N2 Borde lateral - Barrera de doble onda simple sobre base terreno W4



Caratteristiche Characteristics, Eigenschaften, Caractéristiques, Características

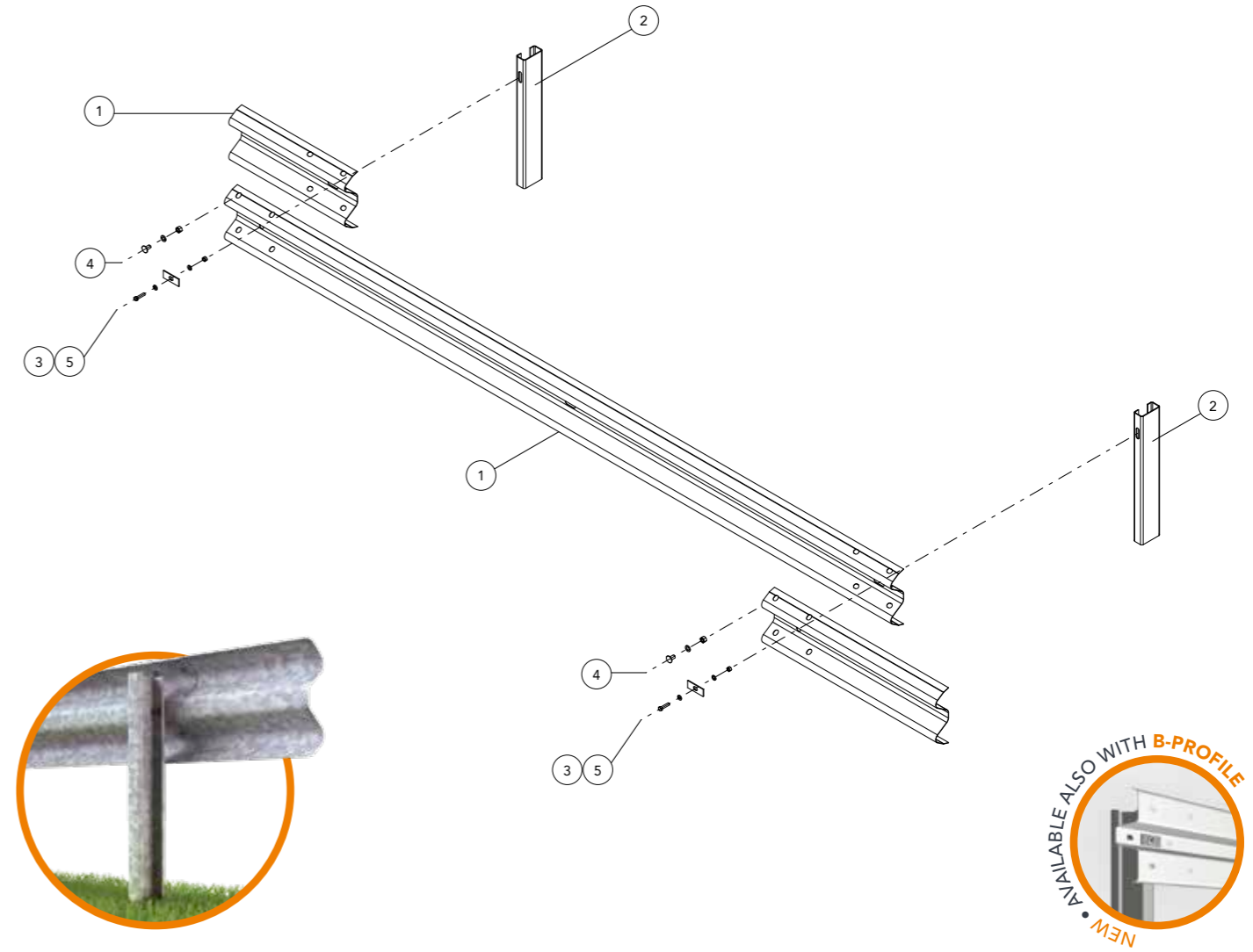
Altezza fuori terra <i>Height above ground level, Höhe über Grundboden, Hauteur hors sol, Altura sobre el suelo</i>	700 mm
Profondità d'infissione <i>Depth of penetration, Rammtiefe, Profondeur de piling du poteau, Longitud hincada</i>	1050 mm
Ingombro trasversale <i>Overall width, Gesamtbreite, Grosseur hors tout, Anchura total</i>	205 mm
Interasse pali <i>Post spacing, Steherabstand, Distance entre poteaux, Distancia entre postes</i>	4000 mm

Rapporti di prova Crash test reports, Testberichte, Comptes rendus d'essais, Relaciones de pruebas

Test n.	Facility	Test	Type	Barrier length m	Mass kg	Speed km/h	ASI max 1.4	THIV max 33 km/h	D m	W m
PROVA 944	Aisico	TB32	Laterale 20°	64	1.500	110	-	-	1,1	1,3=W4
PROVA 946	Aisico	TB11	Laterale 20°	64	900	100	0,8=A	27	0,9	1,0=W3

N2-W4

2-waves



Componenti Components, Bauteile, Composants, Elementos

Descrizione - barriera in acciaio zincato Description - galvanized steel barrier			Materiale Material
5	Bullone completo Bolt with nut and washer, Schraube komplett, Boulon complet, Tornillo completo con tuerca y arandela	M12x50 mm	Classe 8.8
4		M16x30 mm	Classe 8.8
3	Piastrina copriasola Slot covering plate, Lochabdeckplatte, Plaque de couverture fente, Placa cubre-ranura	100x40x4 mm	S 275 JR
2	Palo "C" C-post, C-Steher, Poteau en C, Poste "C"	120x55x30 Th=4 H=1700mm	S 275 JR
1	Fascia 2 onde 2-waves beam, 2-wellige Leitschiene, Glissière 2 ondes, Banda doble onda	L=4316 Th=2 mm	S 355 JR
Descrizione - barriera in acciaio corten Description - corten steel barrier			Materiale Material
5	Bullone completo + 2 rondelle Bolt with nut and washer + 2 washers, Schraube komplett + 2 scheibe, Boulon complet + 2 rondelle, Tornillo completo con tuerca y arandela + 2 arandelas	M12x50 mm	Tropicaliz.
4		M16x30 mm	Tropicaliz.
3	Piastrina copriasola Slot covering plate, Lochabdeckplatte, Plaque de couverture fente, Placa cubre-ranura	100x40x4 mm	S 355 JOWP
2	Palo "C" C-post, C-Steher, Poteau en C, Poste "C"	120x55x30 Th=4 H=1700mm	S 355 JOWP
1	Fascia 2 onde 2-waves beam, 2-wellige Leitschiene, Glissière 2 ondes, Banda doble onda	L=4316 Th=2 mm	S 355 JOWP