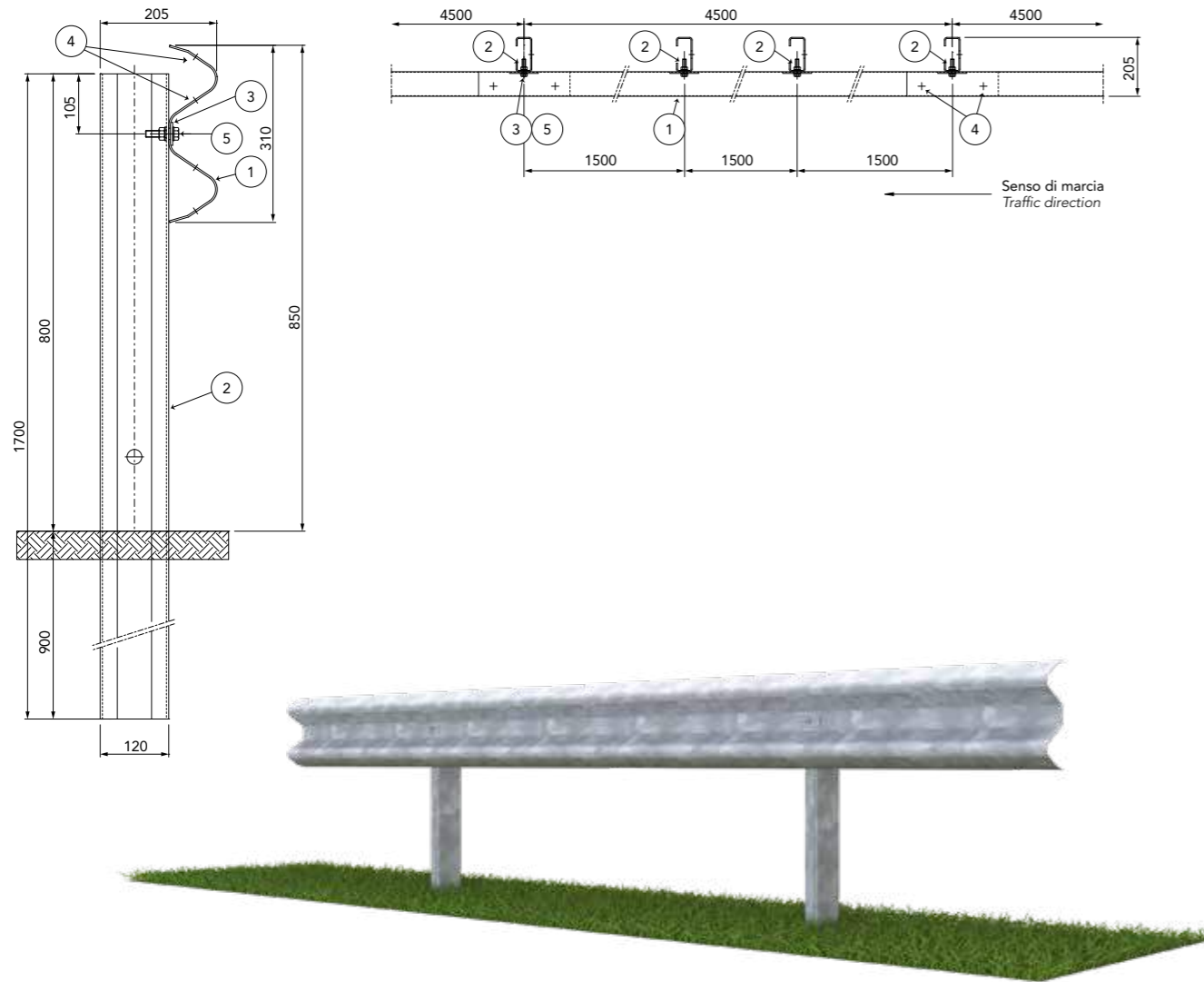


CLASSE H2 BORDO LATERALE - BARRIERA 2 ONDE SINGOLA SU RILEVATO W4

Class H2 Roadside - 2-waves single sided guardrail W4
 Gerammte Doppelwellen-Leitplanke Aufhaltestufe H2, Wirkungsbereich W4
 Classe H2 Bord latéral - Glissière 2 ondes simple sur remblai W4
 Clase H2 Borde lateral - Barrera de doble onda simple sobre base terreno W4

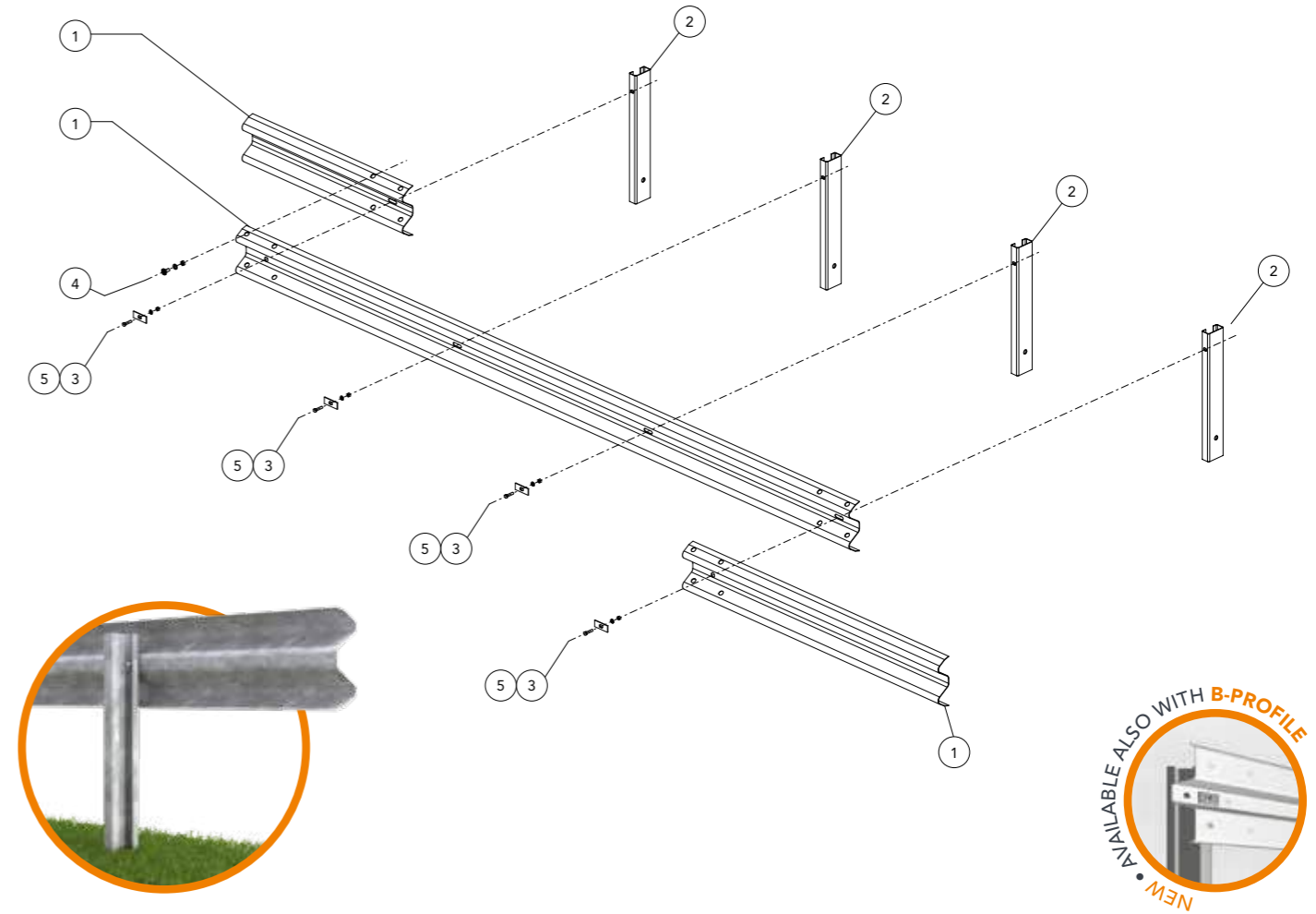


Caratteristiche Characteristics, Eigenschaften, Caractéristiques, Características	
Altezza fuori terra Height above ground level, Höhe über Grundboden, Hauteur hors sol, Altura sobre el suelo	850 mm
Profondità d'infissione Depth of penetration, Rammtiefe, Profondeur de piling du poteau, Longitud hincada	900 mm
Ingombro trasversale Overall width, Gesamtbreite, Grosseur hors tout, Anchura total	205 mm
Interasse pali Post spacing, Steherabstand, Distance entre poteaux, Distancia entre postes	1500 mm

Rapporti di prova Crash test reports, Testberichte, Comptes rendus d'essais, Relaciones de pruebas											
Test n.	Facility	Test	Type	Barrier length MTL	Mass kg	Speed km/h	ASI max 1.4	THIV max 33 km/h	D m	Vi m	W m
PROVA 1156	AISICO	TB51	Laterale 20°	72,00	13000	70	-	-	1,2	1,7	1,3=W4
PROVA 962	AISICO	TB11	Laterale 20°	72,00	900	100	1=A	28	0,4	-	0,7=W2

H2-W4

2-waves



Componenti Components, Bauteile, Composants, Elementos			
	Descrizione Description		Materiale Material
5	Bullone completo + rondella Bolt with nut and washer + washer, Schraube komplett + unterlegscheibe, Boulon complet + rondelle, Tornillo completo con tuerca y arandela + arandela	M12x50 mm	Classe 8.8
4	Bullone completo Bolt with nut and washer, Schraube komplett, Boulon complet, Tornillo completo con tuerca y arandela	M16x30 mm	Classe 8.8
3	Piastrina copriasola Slot covering plate, Lochabdeckplatte, Plaque de couverture fente, Placa cubre-ranura	100x40x4 mm	S 235 JR
2	Palo "C" C-post, C-Steher, Poteau en C, Poste "C"	120x55x30 Th=4 H=1700 mm	S 275 JR
1	Fascia 2 onde 2-waves beam, 2-wellige Leitschiene, Glissière 2 ondes, Banda doble onda	L=4816 Th=2.85 mm	S 355 JR
Descrizione - barriera in acciaio corten Description - corten steel barrier			Materiale Material
5	Bullone completo + rondella Bolt with nut and washer + washer, Schraube komplett + unterlegscheibe, Boulon complet + rondelle, Tornillo completo con tuerca y arandela + arandela	M12x50 mm	Tropicaliz.
4	Bullone completo Bolt with nut and washer, Schraube komplett, Boulon complet, Tornillo completo con tuerca y arandela	M16x30 mm	Tropicaliz.
3	Piastrina copriasola Slot covering plate, Lochabdeckplatte, Plaque de couverture fente, Placa cubre-ranura	100x40x4 mm	S 355 JOWP
2	Palo "C" C-post, C-Steher, Poteau en C, Poste "C"	120x55x30 Th=4 H=1700 mm	S 355 JOWP
1	Fascia 2 onde 2-waves beam, 2-wellige Leitschiene, Glissière 2 ondes, Banda doble onda	L=4816 Th=2.85 mm	S 355 JOWP