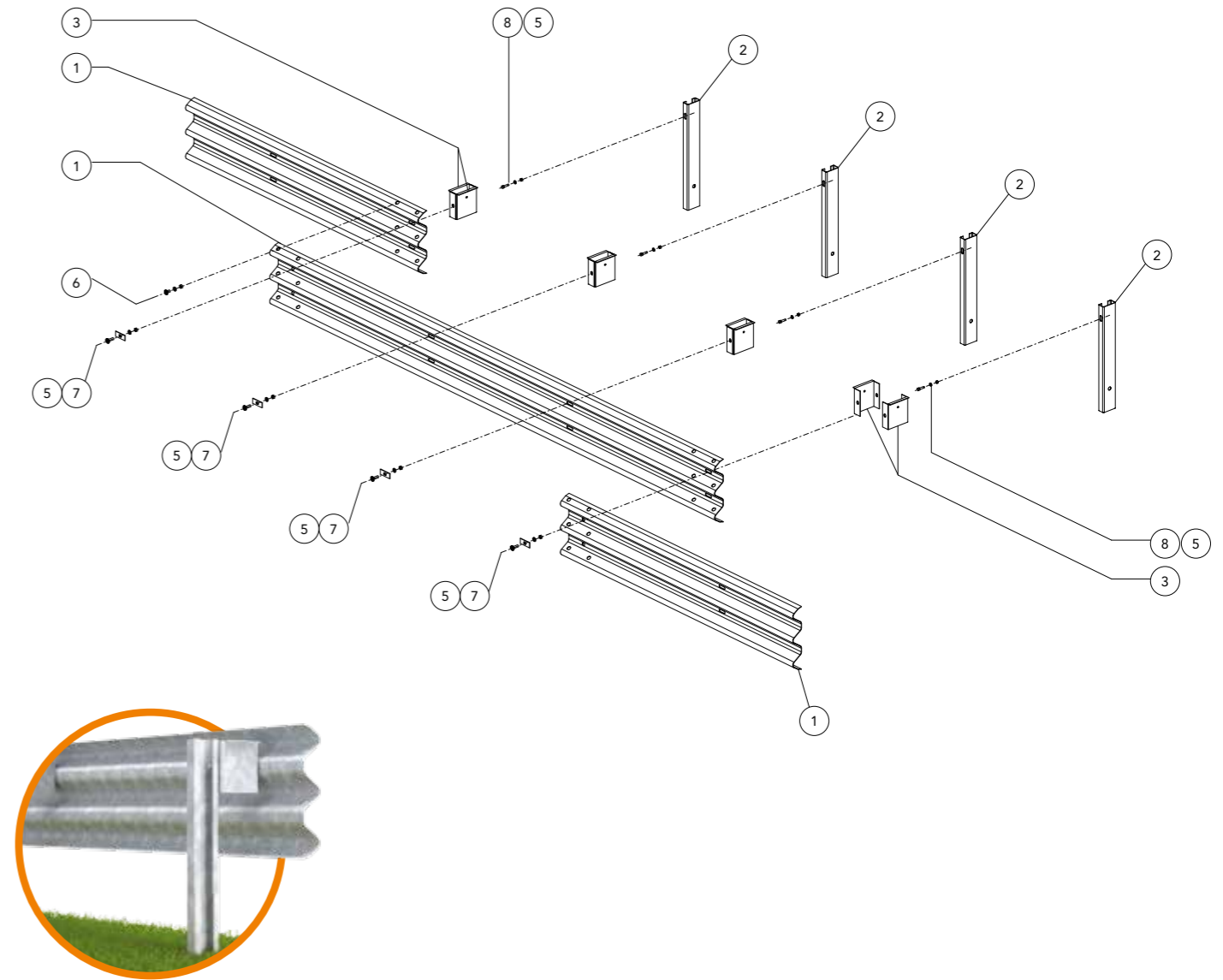
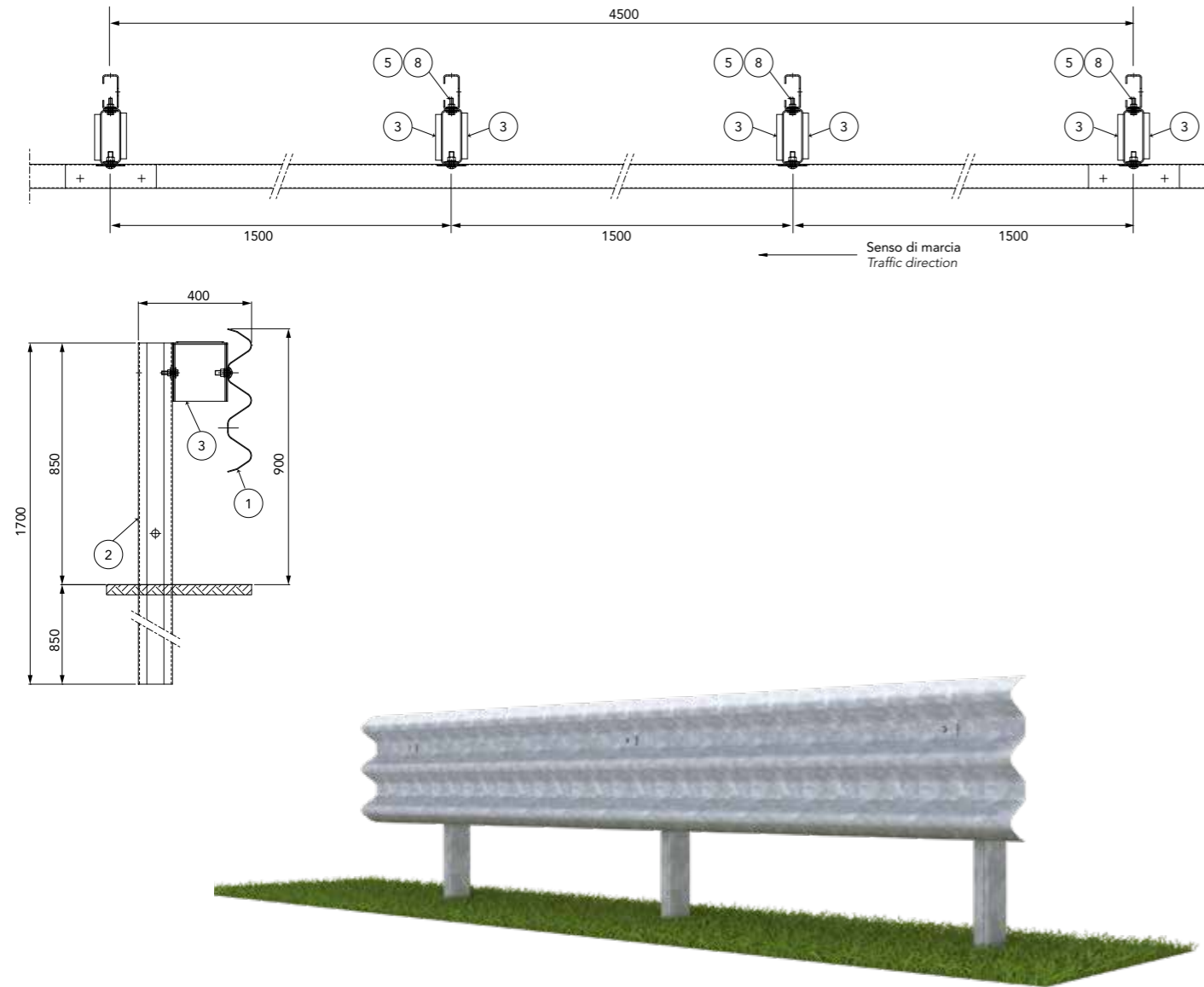


CLASSE H2 BORDO LATERALE - BARRIERA 3 ONDE SINGOLA SU RILEVATO W5

Class H2 Roadside - 3-waves single sided guardrail W5
 Gerammte 3 Wellen Leitplanke, Aufhaltestufe H2, Wirkungsbereich W5
 Classe H2 Bord latéral - Glissière 3 ondes simple sur remblai W5
 Clase H2 Borde lateral - Barrera de triple onda simple sobre base terreno W5



H2-W5

3-waves with spacer

Caratteristiche Characteristics, Eigenschaften, Caractéristiques, Características

Altezza fuori terra Height above ground level, Höhe über Grundboden, Hauteur hors sol, Altura sobre el suelo	900 mm
Profondità d'infissione Depth of penetration, Rammtiefe, Profondeur de piling du poteau, Longitud hincada	850 mm
Ingombro trasversale Overall width, Gesamtbreite, Grosseur hors tout, Anchura total	400 mm
Interasse pali Post spacing, Steherabstand, Distance entre poteaux, Distancia entre postes	1500 mm

Rapporti di prova Crash test reports, Testberichte, Comptes rendus d'essais, Relaciones de pruebas

Test n.	Facility	Test	Type	Barrier length MTL	Mass kg	Speed km/h	ASI max 1.4	THIV max 33 km/h	D m	Vi m	W m
PROVA 1205	Aisico	TB51	Laterale 20°	67,50	13.000	70	-	-	1,5	1,7	1,6=W5
PROVA 1206	Aisico	TB11	Laterale 20°	67,50	900	100	1=A	33	0,5	-	0,9=W3

Componenti Components, Bauteile, Composants, Elementos

	Descrizione Description		Materiale Material
8	Bullone completo + rondella Bolt with nut and washer + washer, Schraube komplett + unterlegscheibe, Boulon complet + rondelle, Tornillo completo con tuerca y arandela + arandela	M12x50 mm	Classe 8.8
7	Bullone completo Bolt with nut and washer, Schraube komplett, Boulon complet, Tornillo completo con tuerca y arandela	M16x50 mm	Classe 8.8
6		M16x30 mm	Classe 8.8
5	Piastrina copriasola Slot covering plate, Lochabdeckplatte, Plaque de couverture fente, Placa cubre-ranura	100x40x4 mm	S 275 JR
3	Distanziatore Spacer, Abstandhalter, Entretoise, Separador	189x61x200 Th=4 mm	S 275 JR
2	Palo "C" C-post, C-Steher, Poteau en C, Poste "C"	120x55x30 Th=4 H=1700 mm	S 275 JR
1	Fascia 3 onde 3-waves beam, 3-wellige Leitschiene, Glissière 3 ondes, Banda triple onda	L=4816 Th.2 mm	S 355 JR